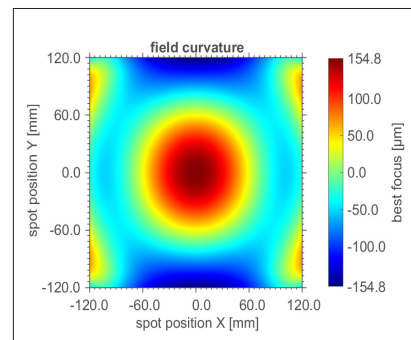
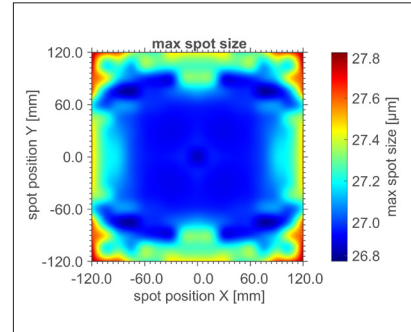


# F-Theta JENar™ APTAline™ Lens Series

## High Image Quality – JENar™ APTAline™ 429-515...540-339 AL

Parameters	JENar™ APTAline™ 429-515...540-339 AL F-Theta lens for high image quality
Focal length:	429 mm
Wavelength:	515...540 nm
Scan field ( X x Y ); Ø:	(240 mm x 240 mm); 339 mm
Diagonal scan angle:	± 22.8°
Back working distance:	547.7 mm
X/Y mirror angle:	± 8.0
Flange focus distance:	629.5 mm
Input beam Ø 1/e <sup>2</sup> :	16.0 mm
Focus size Ø 1/e <sup>2</sup> :	26.9 µm
a1:	17.00 mm
a2:	32.51 mm
Telecentricity (only F-Theta   with scanner):	12.4°   12.4°
Group delay dispersion (GDD):	3328 fs <sup>2</sup>
LIDT coating pulsed; CW:	1.25 J/cm <sup>2</sup> * (τ/[ns]) <sup>0.35</sup> ; 1.25 MW/cm <sup>2</sup>
LIDT system pulsed; CW:	1.25 J/cm <sup>2</sup> * (τ/[ns]) <sup>0.35</sup> ; 1.25 MW/cm <sup>2</sup>
Weight:	1.5 kg
Order Number	739668*

### Spot properties

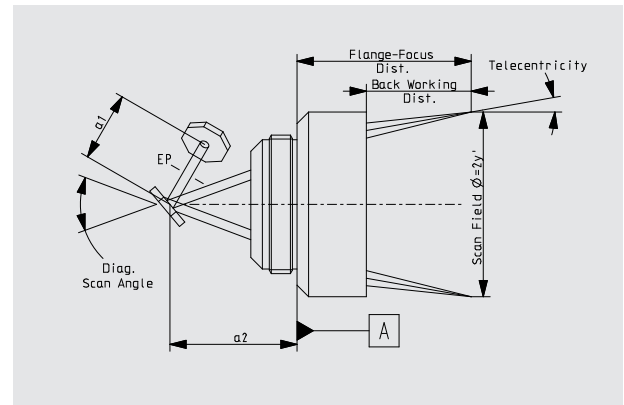
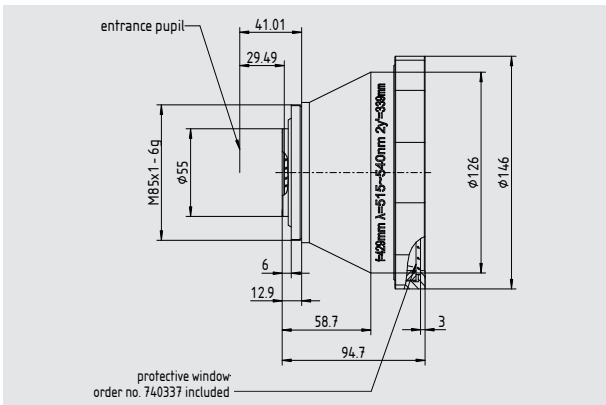


\*Please note: Order number was changed. Previous one was 728095.

### Specifications

JENar™ APTAline™ 429-515...540-339 AL

### Definition of geometrical parameters



JENar®: Registered in EU, CN, JP, SG, US | F-Theta: Registered Design in EU, CN, KR, JP, SG, IN, HK, TW | APTAline® registered in: DE, EU, JP, KR, US, CN

The data given are nominal values for the specified application parameters. Jenoptik provides Zemax® BlackBox files for simulating application results for customized parameters (e.g. wavelength, scanner geometry, beam diameter, ...).  
Back working distance, Flange focus distance, and focal length vary by ± 1.5 % due to manufacturing variances.

It is our policy to constantly improve the design and specifications. Accordingly, the details represented herein cannot be regarded as final